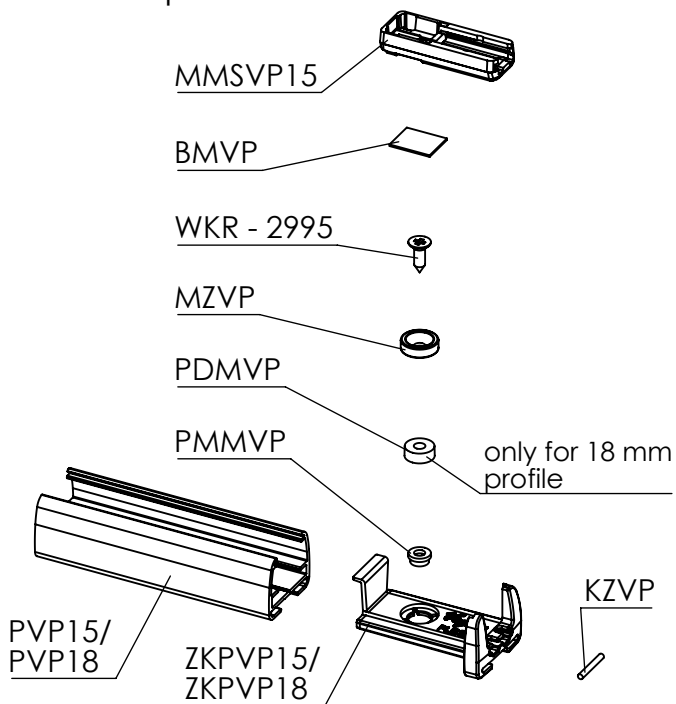
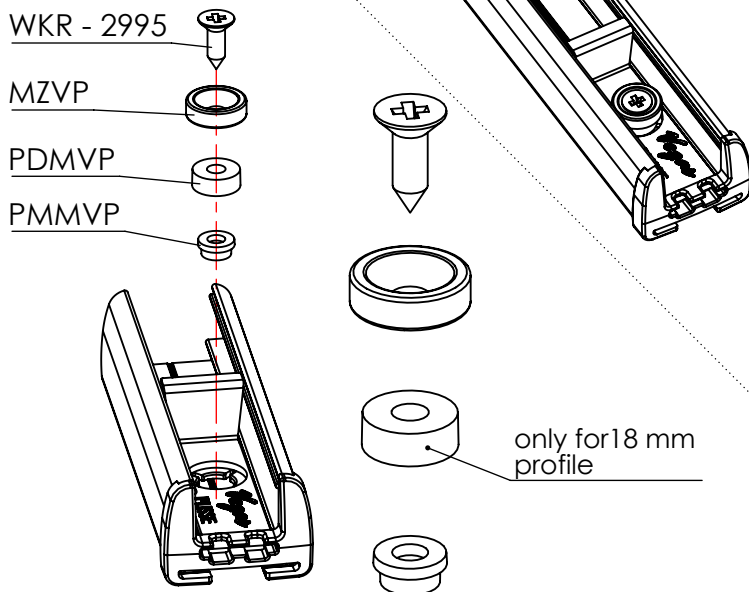


Magnet mounting and steel reinforcement assembly in
15mm and 18mm Vegas Plisse Profiles

List of components

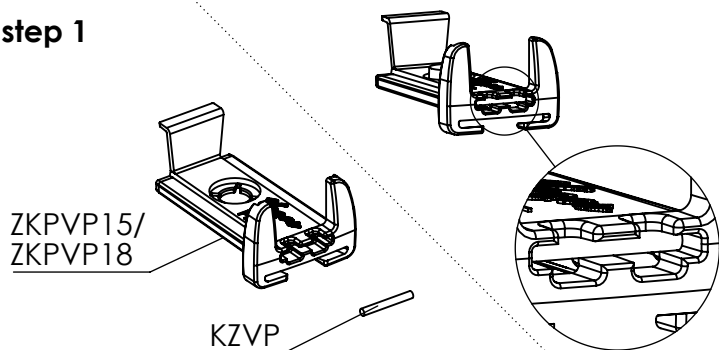


step 3



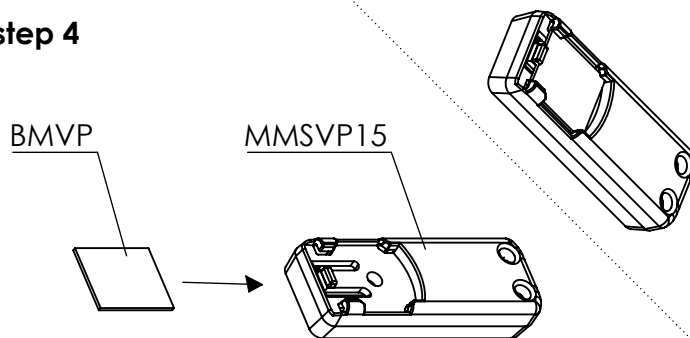
Place the magnet mounting plate, spacer washer and mounting magnet in the end cap hole and lock all the components with a 2,9x9,5 screw.

step 1



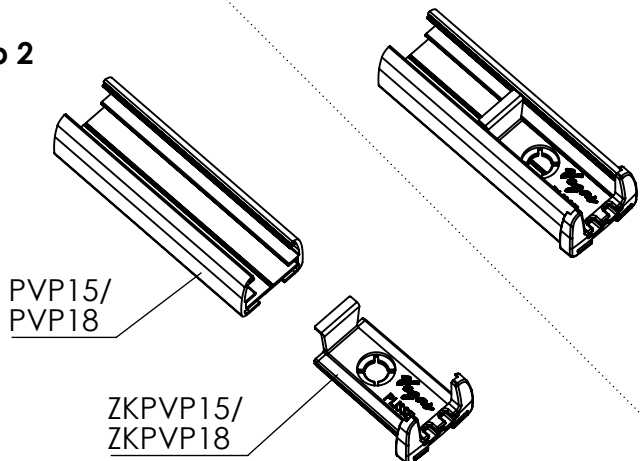
Place the steel reinforcement in the end cap channel

step 4



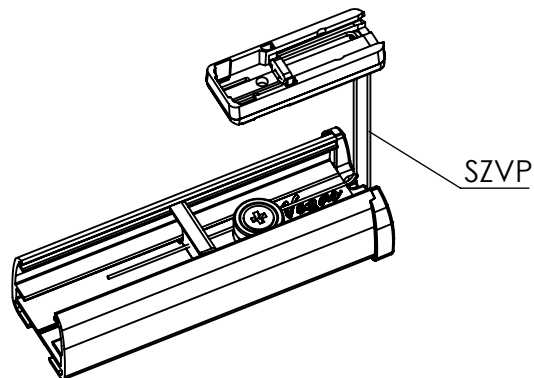
Place the magnet mounting plate in the cord magnetic mounting

step 2



Put the end cap into the profile

step 5



Thread the cord through all the parts