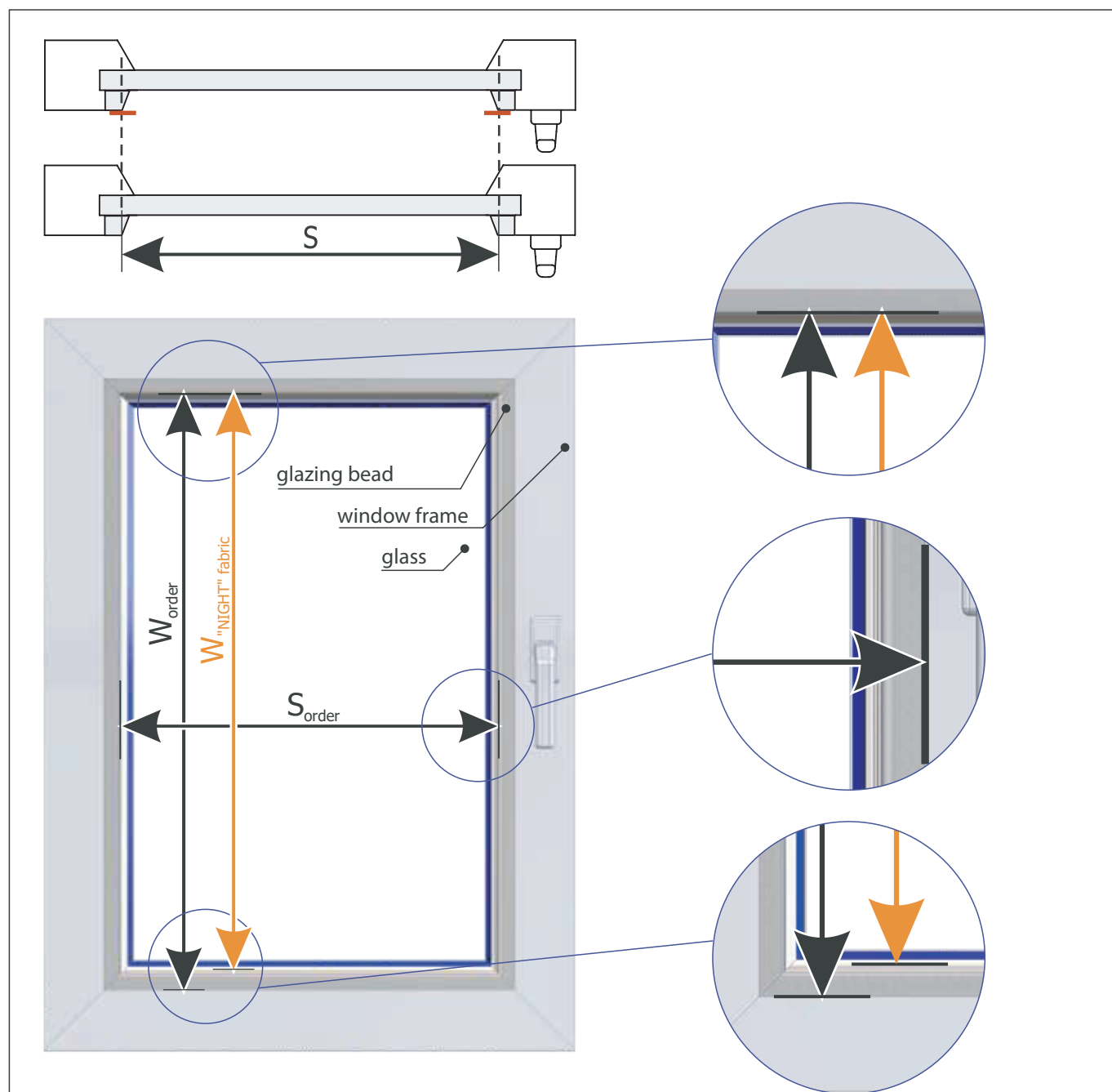


# MEASUREMENT CARD

## Vegas CLASSIC / CLASSIC XL roller blinds, NIGHT and DAY fabric

Measurement by glazing bead bevel - according to the edge dimensions



### Vegas CLASSIC / CLASSIC XL roller blinds

#### **S - order width (bevelled glazing bead)**

The width should be given as the width of the glazing beads bevels.

#### **W - order height (bevelled glazing bead)**

Measurement should be taken from the end of the bottom glazing bead to the top glazing bead bevel.

#### **Fabric height ("Night" position)**

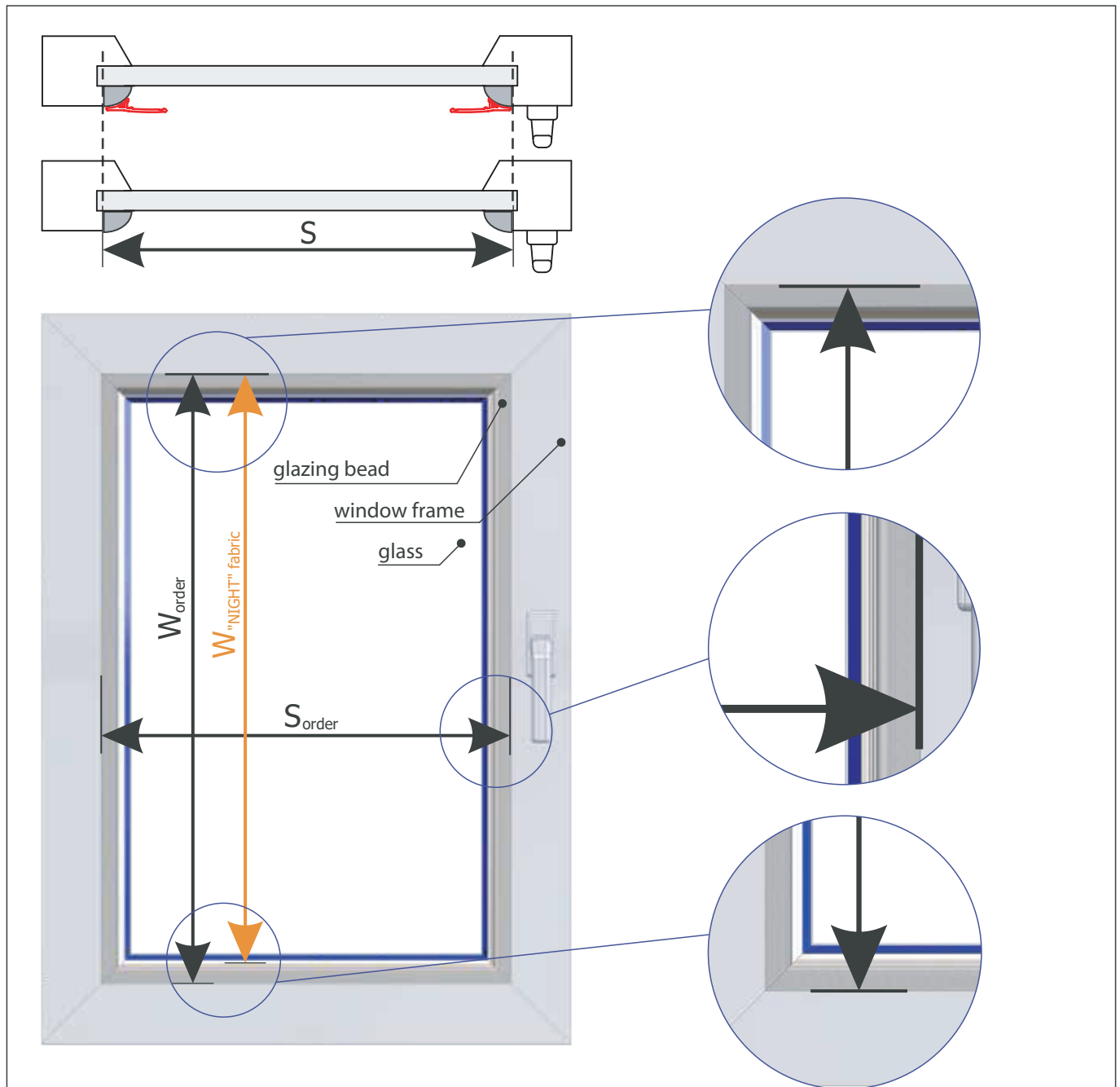
Measurement should be taken from the top measuring point to the bottom glazing bead bevel.

# MEASUREMENT CARD

## Vegas CLASSIC / CLASSIC XL roller blinds, NIGHT and DAY fabric



Measurement by rounded glazing bead- according to the external edge of the glazing bead



### Vegas CLASSIC / CLASSIC XL roller blinds

#### **S - order width (rounded glazing bead)**

Give the width of the external edges of the glazing beads.

#### **W - order height (rounded glazing bead)**

Give the height of the external edges of the glazing beads.

#### **Fabric height ("Night" position)**

Measurement should be taken from the top measuring point to the bottom glazing bead level.