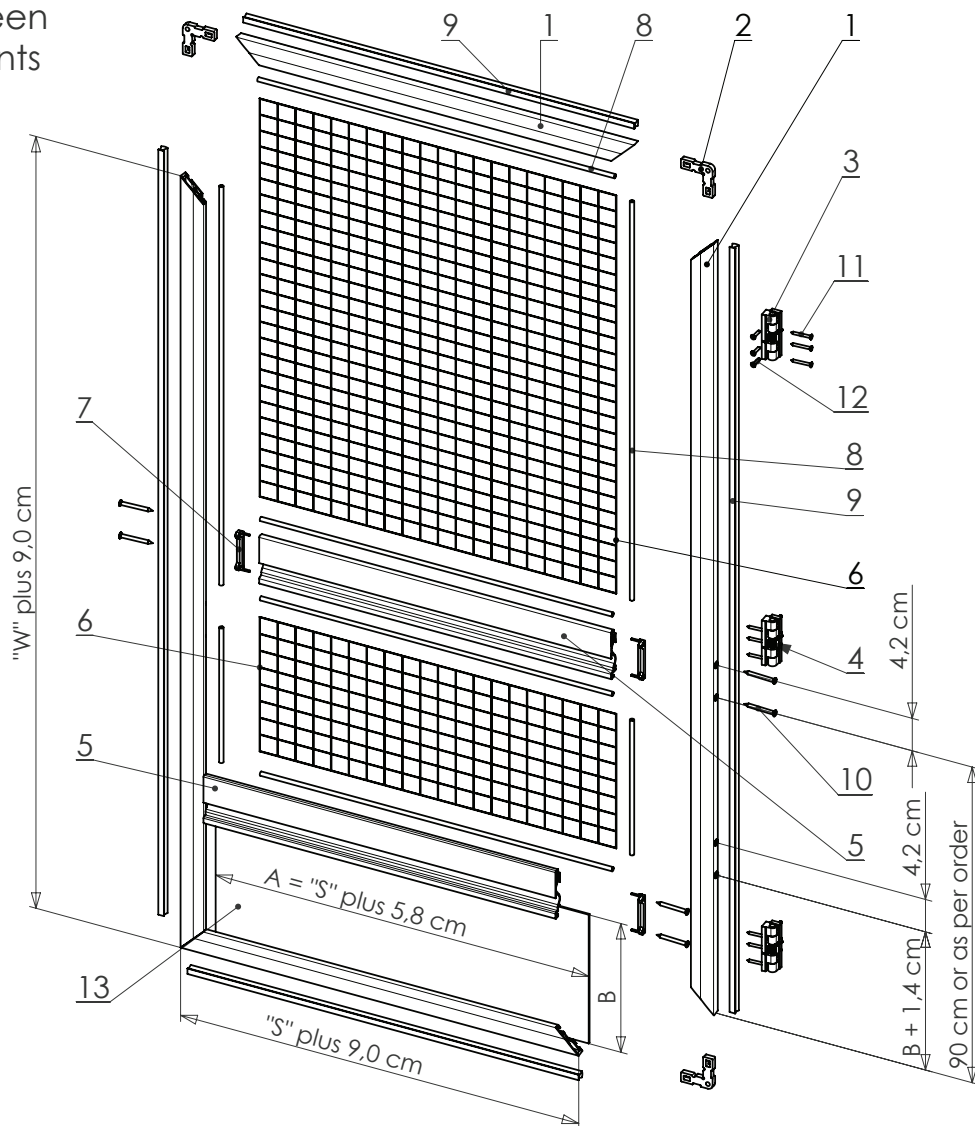


Measurement and assembly of Vegas door insect screen

1. Insect screen components

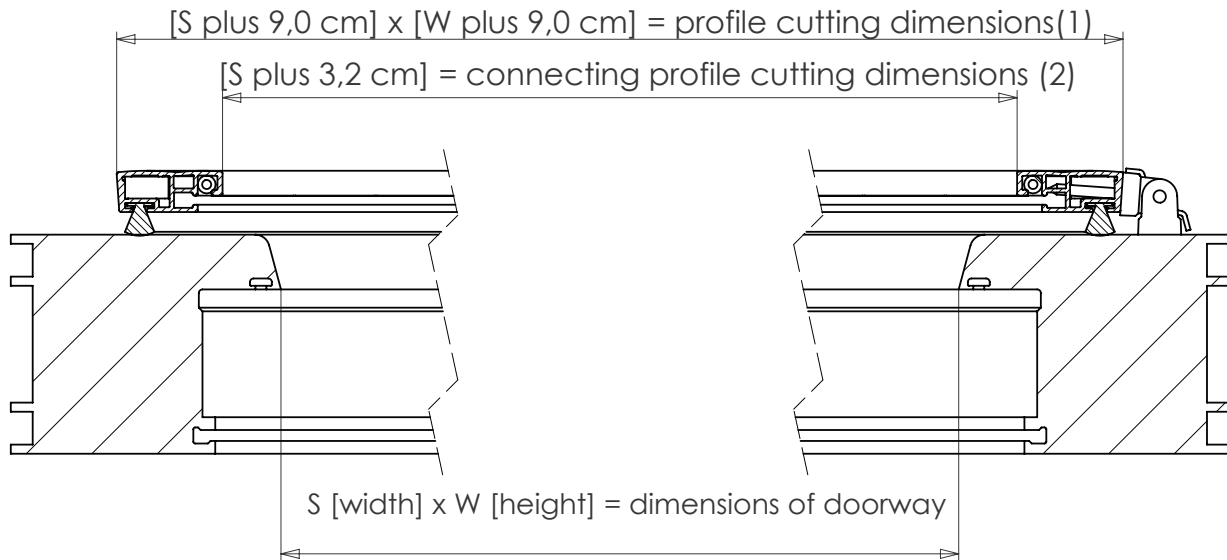


S - width of the doorway  
W - height of the doorway

Nr	Component name	Index	Quantity
1	Mosquito door frame profile	MDP	4 profileg (2+2)
2	Mosquito door inside corner	MDN	4
3	Mosquito door hinge	MDZ	3
4	Mosquito door hinge spring	MDS	1 cf 2 cf 3
5	Mosquito door connecting profile	MDR	1
6	A cge i ]rc 'a Yg\		UgdYf]bgfi Whjc b
7	Mosquito door connecting profile end cap	ZRM	2
8	5 mm O-shaped rubber seal	RGMO	UgdYf]bgfi Whjc b
9	12 mm brush seal	BG12	UgdYf]bgfi Whjc b
10	4x40 hardened screw	WKR-4040	4
11	2,9x25 hardened screw	WKR-29x25	9
12	2,9x16 hardened screw	WKR-29x16	9
13	Cover (board)with dimensions AxB, 2,5mm thick max. Position 5 and position 7.		C d h j c b U`

## Measurement and assembly of Vegas door insect screen

### 2. Cutting dimensions



### 3. How to make door insect screen

3.1. Cut 2 profiles (1) at 45degrees angle and cut the connecting profile (5) according to the dimensions from section 2.( cutting accuracy  $\pm 0,1$  and  $\pm 1^\circ$ )

3.2. Make two 3,6mm holes in the frame vertical profiles (1) in the equal distance from the bottom (for the connecting profile) then use the countersink to deepen the holes  $\text{Ø}8/90^\circ$ . If the cover is planned (13) make the same holes for the connecting profile (5) to mount the cover. Drilling should be done according to the diagram given in section 5 with a help of Vegas Mosquito drilling tools or using other appropriate tools.

3.3. In the vertical frame profile (1) that is for mounting hinges, make 3 groups of  $\text{Ø}2$  holes using the Vegas Mosquito template or hinges.

3.4. Slide the brush seals (9) in the right channels of the frame profiles (1) and cut the excess of the seal off.

3.5. Put the frame profiles (1) and the corners together and tighten each quoin of the frame using Vegas Mosquito mounting tool or other tool according to the dimensions from section 5.

3.6. Insert the end caps (7) onto the connecting profile. Mount the connecting profile (5) with four 4x40 screws (10). If chosen, the cover (13) and the bottom connecting profile (5) should be mounted.

3.7. Tighten two (cut with the excess) mosquito mesh sheets (6) with O-shaped 5mm rubber seal (8) using tracing wheel. Cut the excess of the mesh off next to the seals.

### 4. Mounting the insect screen to the door frame

4.1. Fix the hinge components (3) to the frame profile (1) with 2,9 x 25 screws (11).

4.2. Mark the location of the fixed hinge components. Screw them to the door frame with 2,9x16 screws (12) or other suitable for the frame.

4.3. Fit the hinges and the springs (self-closing)(4). Join the hinges with pivots.

4.4. Mount additional handles, hooks, magnetic closures - if needed.

4.5. Check if the insect screen operates correctly.

Measurement and assembly of Vegas door insect screen

5. Cutting dimensions and assembly details.

The holes for connecting profile assembly should be made with an appropriate drilling device or according to the dimensions.

